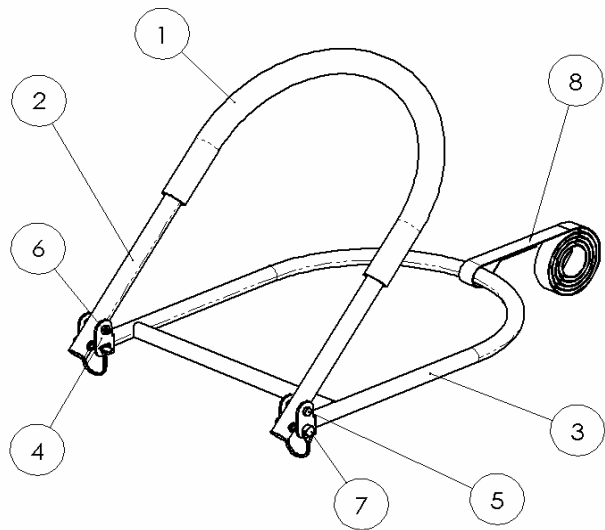


Product Instructions:



1. Pull product out of box and remove **Safety Lock Pins (7)**.
2. Rotate **Handle Tube (2)** into upright position that is 90 degrees from **Base Tube (3)**.
3. Align holes at the base of **Handle Tube (2)** with the holes in **Bracket (4)**.
4. Insert **Safety Lock Pins (7)** into the aligned holes to secure **Handle Tube (2)** in the bed rail user position.
5. SAFETY PRECAUTIONS:
 - ✓ Make sure the handle height avoids small gaps between the Bed Rail Advantage handle and the top of the mattress to avoid entrapment of users head, body, arms, or legs.
 - ✓ Position the Bed Rail Advantage handle at least 2 feet from headboard or footboards of a bed to avoid entrapment.
 - ✓ Make sure the Safety Strap secures Bed Rail Advantage handle against the side of the mattress to prevent gaps between the Bed Rail Advantage handle and the side of the mattress.
 - ✓ Read Safety Precautions on the other side of this instruction sheet.
6. Place the **Safety Strap (8)** around the **Base Tube (3)** and loop the **Safety Strap (8)** around the bed frame as shown below. Adjust the **Safety Strap (8)** so the Bed Rail Advantage is tightly against the side of the mattress to prevent entrapment and to prevent movement of the Bed Rail.
7. IMPORTANT: The **Base Tube (3)** MUST be placed between the mattress and the box spring of the bed! Mattress should cover the entire structure of the **Base Tube (3)**. Do not use the Bed Rail Advantage with lightweight mattresses such as foam. Lightweight mattresses could increase the possibility of entrapment (see Safety Precautions on the other side of this instruction sheet).

